

**VOX**



# ROOF SOFFIT SYSTEM INFRATOP

Product presentation



# ROOF SOFFIT SYSTEM INFRATOP

Introducing Infratop, VOX's newest development in soffit systems.

Available as part of VOX's current and highly successful range of soffit systems:

Panels: SV-07/08/09 and SVP-07/08/09

Skirting: SV-15/SVP-15 and SV-18/SVP-18

Skirting SV-15,5 ( only in Eastern Europe and Asia)



THE VOX INFRATOP PVC ROOF SOFFIT IS A CONVENIENT, ECONOMICAL AND STYLISH ALTERNATIVE TO OUTDATED WOODEN AND METAL SOFFITS THAT HAVE TRADITIONALLY BEEN USED. IT ALSO OFFERS ADVANTAGES OVER CURRENT PVC OFFERINGS.



THE INFRATOP ROOF SOFFIT SYSTEM IS DESIGNED TO OFFER A STYLISH AND CLEAN FINISH TO DOMESTIC DWELLINGS.

IT CAN ALSO BE USED ON TERRACES, OUTDOOR GAZEBOS, GARAGE ROOFS AND MOBILE HOMES.





# ADVANTAGES OF INFRATOP



Realistic wood design



Quick and easy installation



Resistance to changing weather conditions



CLICK system for reliable installation.



100% Maintenance-free.



30 years' warranty



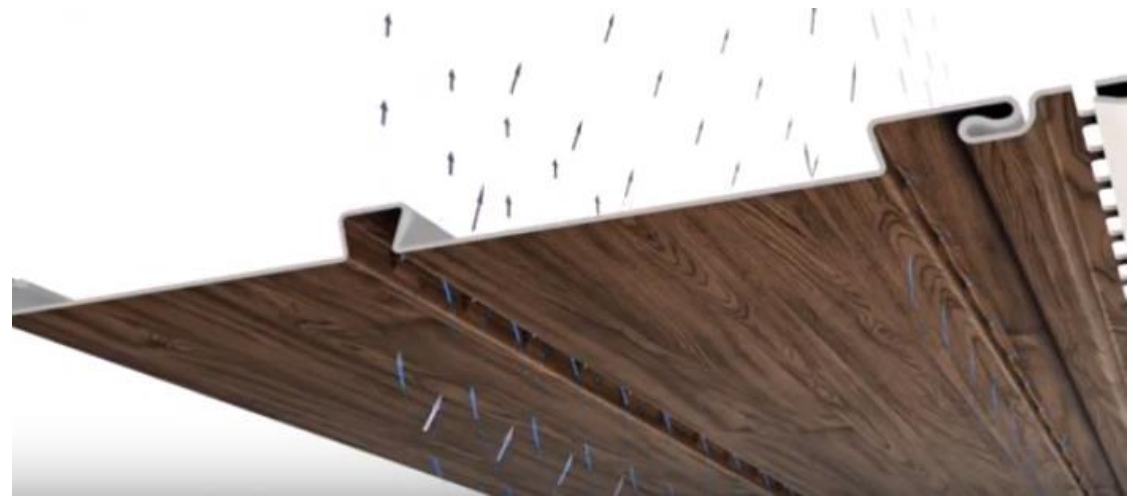
# INFRATOP

- comfort and convenience
- roof protection
- savings
- aesthetic design
- an innovative solution



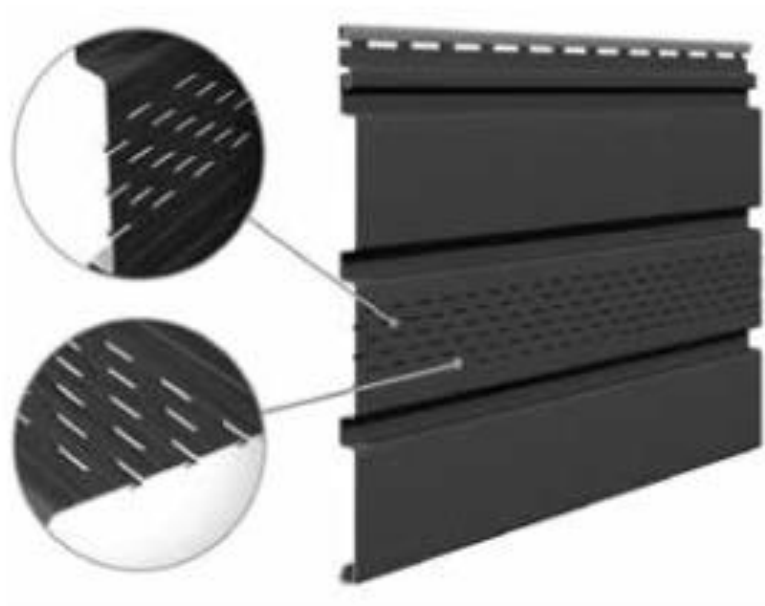
# HIDDEN VENTILATION PANEL AIR CIRCULATION

The installation of a perforated roof soffit ensures proper air circulation and protects the roof against moisture, fungus and mould.





## 2 VENTILATION SYSTEMS



SV (P) -07 profile with visible perforation on the panel.  
Mounted in connection with the SV (P) - 08 panel



Panel SV (P) - 09 with hidden ventilation.  
The installation requires one type of profile.

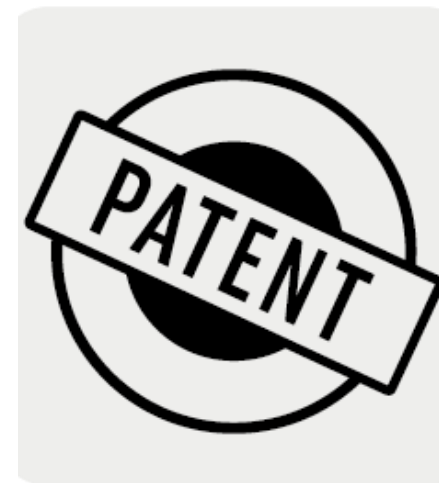
# INTRODUCING THE HIDDEN VENTILATION PANEL

The INFRATOP roof soffit system has been extended with a hidden ventilation panel (SV-09/SVP-09). This is a new and innovative approach to offering ventilation.



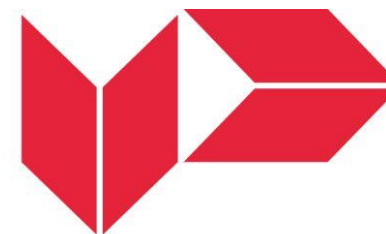
# HIDDEN VENTILATION PANEL

## SV-09/ SVP-09



The solution has been patented by Profile VOX

Application: ZWW no 005216025 of 06/04/2018



URZĄD PATENTOWY  
RZECZYPOSPOLITEJ POLSKIEJ

# ADVANTAGES OF THE NEW PANEL SV-09/ SVP-09

- Hidden ventilation system.
- Modern, sleek shape.
- Aesthetically pleasing and realistic design.
- Allows for installation of a wide range of lighting systems.
- Quick installation.
- Simple and intuitive system, suitable for commercial or DIY.





# HIDDEN VENTILATION

The ventilation system is located in the bend of the panel, so after installation it is invisible.

In addition, the shape of perforation holes protects against the ingress of insects such as wasps, hornets and bees.



# MODERN SHAPE

The modern shape of the panel resembles two wide wooden planks.

Our in-house team of designers have worked hard to ensure a solid, aesthetically pleasing and stylish roof finish, that falls in-line with the latest market trends.



# AESTHETIC DESIGN

Hiding the ventilation system allows us to offer a much more aesthetically pleasing and natural design than systems currently available on the market.



# INSTALLATION OF LIGHTING

The shape of the panel, with two wide boards, allows for easy installation of lighting.

Thanks to the wide plank design, the range of possible light spots has been extended.





# FASTER INSTALLATION

The new panel can be installed without any assistance. Older systems require 2 types of panels to be installed alternately (perforated and non-perforated).

Single panel installation allows for much simpler and easy fitting, helping to decrease installation times and efficiency.



# SIMPLE SYSTEM

The panel SV-09/ SVP-09 can be installed single handedly, without any assistance. Only 2 finishing skirts are required for installation.



# COLOURS

UNICOLOR collection



**Brown**



**Graphite**



**White**

NATURE collection



**Golden Oak**



**Walnut**

The colours are identical for all panels SV (P)-07/ 08/09



# SYSTEM COMPONENTS - PANELS



SV/ SVP – 07  
Panel with visible perforation



SV/SVP – 08  
Panel without perforation



SV/SVP-09  
Panel with hidden perforation



# SYSTEM COMPONENTS - FINISHING SKIRTING



Skirting J SV(P) – 15

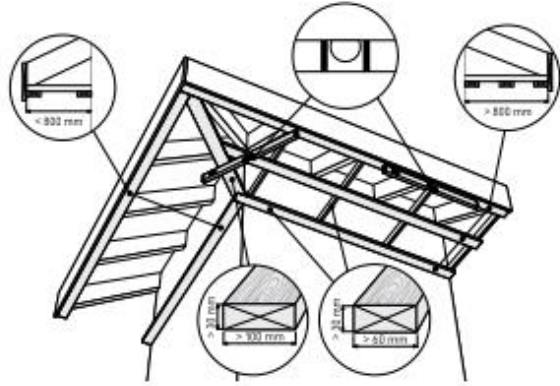


Connector SV(P) – 18

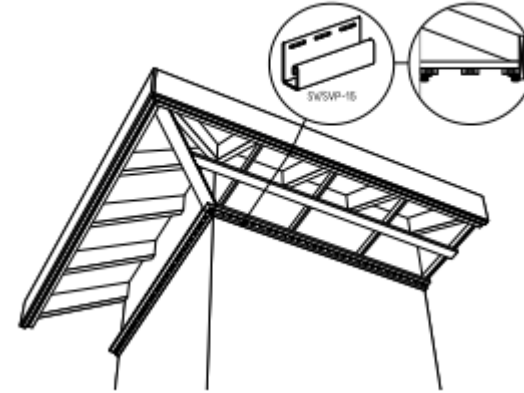


Skirting wide J SV – 15,5  
(only in Eastern Europe and Asia)

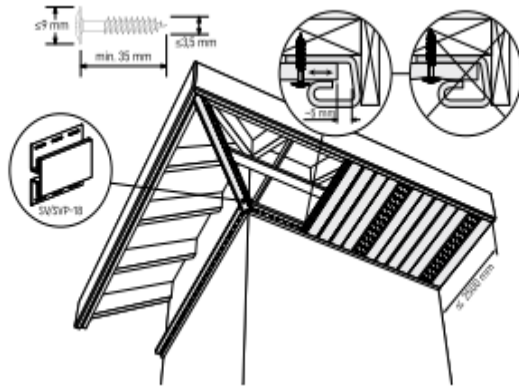
# INSTALLATION INSTRUCTIONS



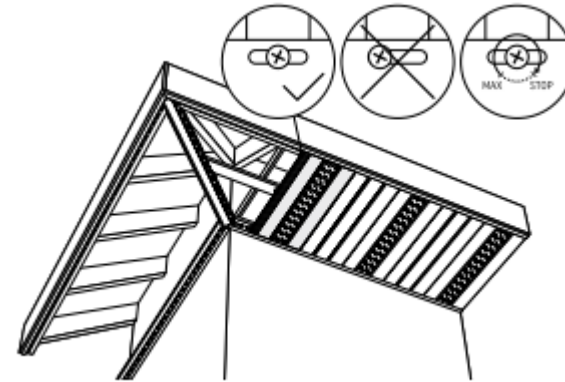
1. Supporting structure installation



2. J- channel SV-15/ SVP-15 installation

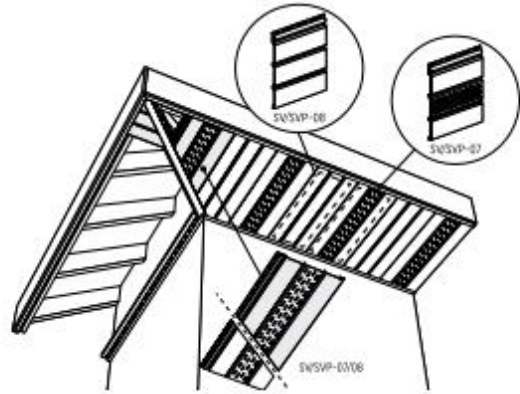


3. Panels installation. Attention! Preserve expansion gaps in trims.

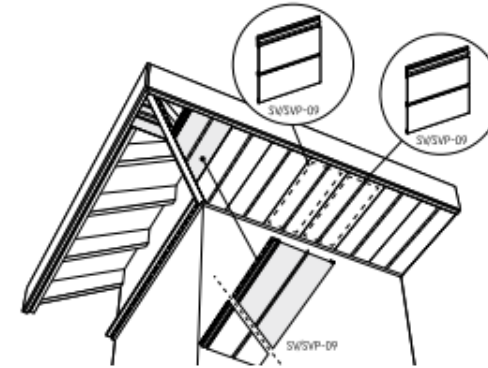


4. Screws are to be placed in the middle of mounting hole.

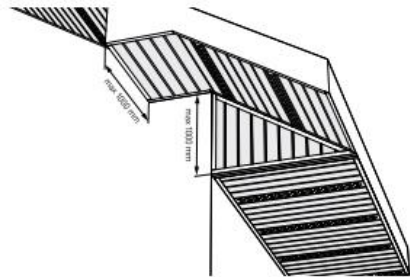
# INSTALLATION INSTRUCTIONS



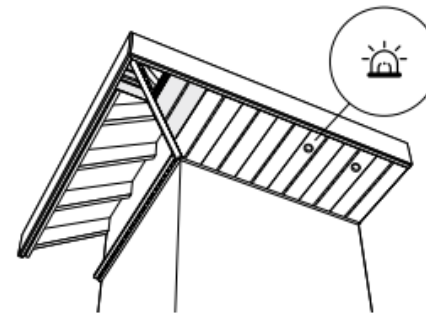
5. Panels with and without ventilation should be assembled alternately to maintain adequate ventilation of the roof slope.



6. Installation of the panel with concealed ventilation requires only one type of profile.



7. The panels in the colors of golden oak, walnut and white can be installed in areas exposed to direct sunlight to 1m in length.



8. Lighting LED.

# SALES SUPPORT



SAMPLE BOARD SOFFIT

SV(P) – 07/08 EN

Stand index: 3021428

Hang index: 3021435

SVP (P)- 09 EN

Stand index: 3021432

Hang index: 3021439



SAMPLE BOARD

SV(P) – 07/08/09 PL

index: 3021894



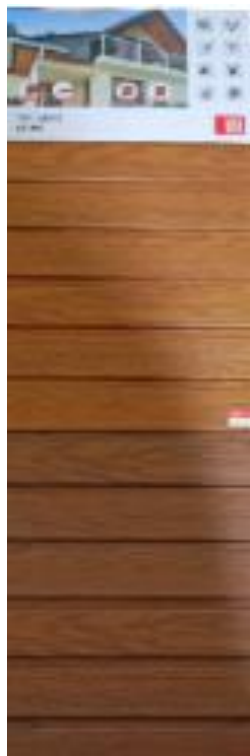
SAMPLE SOFFIT  
SV(P)-07/08 UNI  
Index: 3009949



SAMPLE SOFFIT  
SV(P)-09 UNI  
Index: 3009902



# SALES SUPPORT



## SAMPLE SOFFIT UNI/NAT 09 LEDDER

SV(P)-07/08 - index: 3009937

SV(P) - 09 - index 3009948

**VOX**

**PODBITKA DACHOWA  
INFRATOP**



MONTAŻ  
ŁATWY I SZYBKI



NIE WYMAGA  
KONSERWACJI



GWARANCJA

**POLECAMY  
SYSTEM PODBITKOWY!**



ADVERTISING BANNER SOFFIT PL  
DISTRIBUTOR 1,5 x 3  
Index :9002567

**VOX**

**PODBITKA DACHOWA  
INFRATOP**



MONTAŻ  
ŁATWY I SZYBKI



NIE WYMAGA  
KONSERWACJI



GWARANCJA

**PODBITKĘ VOX MONTUJE FIRMA:**



ADVERTISING BANNER SOFFIT PL  
TRADING POINT 1 x 2  
Index: 9002568

# SALES SUPPORT



**INFRATOP**  
SYSTEM PODBITKI DACHOWEJ

**VOX**

## W PRZYTULNEJ ATMOSFERZE

Dłpowiednio dobrane światło sprawia, że klimat miejsca staje się inny. Lepiej, a otoczenie domu cykluje na estetyce.

Podbitka dachowa VOX daje Ci możliwość montażu idealnego dla Ciebie światła. Klimatyczny wieszak na tarasie? Jak najbardziej!



## PRAKTYCZNIE I STYLOWO

Dbając o praktyczny wymiar naszego domu, wybieramy najlepsze jakościowe produkty. Te, które zapewnią nam użytkowanie na lata.

W VOX oferujemy Ci podbitkę, która posiada 30 lat gwarancji, jest odporna na zmienne warunki atmosferyczne: korozję biologiczną. Stanowi idealnie i estetyczne wykończenie wiat parazytowych.



## NAJWAŻNIEJSZE JEST UKRYTE



Typ: SV-09/SVP-09

Nowości w ofercie VOX. Perfekcja z wyglądu się w załamaniu panelu, dzięki czemu uzyskujemy najlepszy efekt estetyczny. Nadaje się do wykończenia: balkonów, werand, podbitki dachowej.



## PRZEMYŚLANA KONSTRUKCJA



Typ: SV-07/SVP-07

Podbitka dachowa z widoczną perforacją na panelu, umożliwiającą wentylację dachu.

## SOFFIT LEAFLETS

size: 16 x A4

Index PL: 9002579

Index CZ\_SK: 9020258

# DISPLAY



## SOFFIT DISPLAY EMPTY CONCEPT

Index display: 9002783  
Index frame for side  
communication: 9002910  
Index top: 9002907  
Index side communication  
9002931  
Size: 80 x 180 x 231 cm



## SOFFIT DISPLAY 110 cm

Index display: 9002784  
Index frame for side  
communication: 9002910  
Index top: 9002908  
Index side communication  
9002931  
Size: 80 x 110 x 231 cm



# PACKAGING



## FOIL SLEEVE

panel length 2,7 m  
10 pcs in package  
8,1 m<sup>2</sup> in package



# LOGISTIC INFORMATION – UNICOLOR PANELS 2,7m

Offer for the Central and Western Europe markets + LT, LV, EST

TYP	INDEKS SAP	NR ARTYKUŁU	NAZWA (PL)	KOD EAN NA OP.	KOD EAN NA SZT.	SZT. W OP.	M2 W OP.
SV-07	30006159	SV-07-WH	SV-07 PODBITKA WHITE 2,7m 10szt/op	5905952158869	5905952159583	10	8,1
	30006161	SV-07-BR	SV-07 PODBITKA BROWN 2,7m 10szt/op	5905952158876	5905952159590		
	30006164	SV-07-GP	SV-07 PODBITKA GRAPHITE 2,7m 10szt/op	5905952158883	5905952159606		
SV-08	30006170	SV-08-WH	SV-08 PODBITKA WHITE 2,7m 10szt/op	5905952158890	5905952159613		
	30006172	SV-08-BR	SV-08 PODBITKA BROWN 2,7m 10szt/op	5905952158906	5905952159620		
	30006173	SV-08-GP	SV-08 PODBITKA GRAPHITE 2,7m 10szt/op	5905952158913	5905952159637		
SV-09	30008283	SV-09-WH	SV-09 PODBITKA WHITE 2,7m 10szt/op	5905952206928	5905952206935		
	30008284	SV-09-BR	SV-09 PODBITKA BROWN 2,7m 10szt/op	5905952206959	5905952206966		
	30008285	SV-09-GP	SV-09 PODBITKA GRAPHITE 2,7m 10szt/op	5905952206980	5905952206997		

# LOGISTIC INFORMATION – UNICOLOR PANELS 3m

Offer for the Eastern Europe market without LT, LV, EST

TYP	INDEKS SAP	NR ARTYKUŁU	NAZWA (PL)	KOD EAN NA OP.	KOD EAN NA SZT.	SZT. W OP.	M2 W OP.
SV - 07	30007488	SV-07-WH	SV-07 PODBITKA WHITE 3m 10szt/op	5905952189818	5905952189870	10	9
	30007489	SV-07-BR	SV-07 PODBITKA BROWN 3m 10szt/op	5905952189825	5905952189887		
	30007490	SV-07-GP	SV-07 PODBITKA GRAPHITE 3m 10szt/op	5905952189832	5905952189894		
SV - 08	30007491	SV-08-WH	SV-08 PODBITKA WHITE 3m 10szt/op	5905952189849	5905952189900		
	30007492	SV-08-BR	SV-08 PODBITKA BROWN 3m 10szt/op	5905952189856	5905952189917		
	30007493	SV-08-GP	SV-08 PODBITKA GRAPHITE 3m 10szt/op	5905952189863	5905952189924		
SV - 09	30008288	SV-09-WH	SV-09 PODBITKA WHITE 3m 10szt/op	5905952207017	5905952207024		
	30008289	SV-09-BR	SV-09 PODBITKA BROWN 3m 10szt/op	5905952207048	5905952207055		
	30008290	SV-09-GP	SV-09 PODBITKA GRAPHITE 3m 10szt/op	5905952207079	5905952207086		

# LOGISTIC INFORMATION – NATUR PANELS 2,7m

Offer for the Central and Western Europe markets + LT, LV, EST

TYP	INDEKS SAP	NR ARTYKUŁU	NAZWA (PL)	KOD EAN NA OP.	KOD EAN NA SZT.	SZT. W OP.	M2 W OP.
SVP - 07	30006651	SVP-07-GO	SVP-07 PODBITKA Golden Oak 2,70m 10szt/op	5905952172131	5905952172179	10	8,1
	30006652	SVP-07-NU	SVP-07 PODBITKA Walnut 2,70m 10szt/op	5905952172148	5905952172186		
SVP - 08	30006653	SVP-08-GO	SVP-08 PODBITKA Golden Oak 2,70m 10szt/op	5905952172155	5905952172193		
	30006654	SVP-08-NU	SVP-08 PODBITKA Walnut 2,70m 10szt/op	5905952172162	5905952172209		
SVP - 09	30008286	SVP-09-GO	SVP-09 PODBITKA Golden Oak 2,70m 10szt/op	5905952206805	5905952206812		
	30008287	SVP-09-NU	SVP-09 PODBITKA Walnut 2,70m 10szt/op	5905952206836	5905952206843		

# LOGISTIC INFORMATION – NATUR PANELS 3m

Offer for the Eastern Europe market without LT, LV, EST

TYP	INDEKS SAP	NR ARTYKUŁU	NAZWA (PL)	KOD EAN NA OP.	KOD EAN NA SZT.	SZT. W OP.	M2 W OP.
SVP - 07	30007494	SVP-07-GO	SVP-07 PODBITKA Golden Oak 3m 10szt/op	5905952189627	5905952189665	10	9
	30007495	SVP-07-NU	SVP-07 PODBITKA Walnut 3m 10szt/op	5905952189634	5905952189672		
SVP - 08	30007496	SVP-08-GO	SVP-08 PODBITKA Golden Oak 3m 10szt/op	5905952189641	5905952189689		
	30007497	SVP-08-NU	SVP-08 PODBITKA Walnut 3m 10szt/op	5905952189658	5905952189696		
SVP - 09	30008291	SVP-09-GO	SVP-09 PODBITKA Golden Oak 3m 10szt/op	5905952206867	5905952206874		
	30008292	SVP-09-NU	SVP-09 PODBITKA Walnut 3m 10szt/op	5905952206898	5905952206904		



# LOGISTIC INFORMATION - FINISHING SKIRTING UNICOLOR

Offer for all sales markets

TYP	INDEKS SAP	NR ARTYKUŁU	NAZWA (PL)	KOD EAN NA OP.	Kod EAN na szt.	szt. w op.	m2 w op.
SV - 15	30006206	SV-15-WH	SV-15 L. J-TRIM WHITE 3,05m 10szt/op	5905952159248	5905952159965	10	30,5
	30006210	SV-15-BR	SV-15 L. J-TRIM BROWN 3,05m 10szt/op	5905952159255	5905952159972		
	30006211	SV-15-GP	SV-15 L. J-TRIM GRAPHITE 3,05m 10szt/op	5905952159262	5905952159989		
SVP-18	30006222	SV-18-WH	SV-18 L. ŁĄCZNIK WHITE 3,05m 5szt/op	5905952159323	5905952160046	5	15,25
	30006230	SV-18-BR	SV-18 L. ŁĄCZNIK BROWN 3,05m 5szt/op	5905952159408	5905952160121		
	30006231	SV-18-GP	SV-18 L. ŁĄCZNIK GRAPHITE 3,05m 5szt/op	5905952159415	5905952160138		

# LOGISTIC INFORMATION – FINISHING SKIRTING NATUR

Offer for all sales markets

TYP	INDEKS SAP	NR ARTYKUŁU	NAZWA (PL)	KOD EAN NA OP.	KOD EAN NA SZT.	SZT. W OP.	M2 W OP.
SVP - 15	30006682	SVP-15-GO	SVP-15 L. J-TRIM Golden Oak 3,05m 10szt/op	5905952173473	5905952173626	10	30,5
	30006656	SVP-15-NU	SVP-15 L. J-TRIM Walnut 3,05m 10szt/op	5905952172223	5905952172261		
SVP -18	30006685	SVP-18-GO	SVP-18 L. ŁĄCZ.N. Golden Oak 3,05m 5szt/op	5905952173503	5905952173657	5	15,25
	30006658	SVP-18-NU	SVP-18 L. ŁĄCZ.N. Walnut 3,05m 5szt/op	5905952172247	5905952172285		

**THANK YOU**